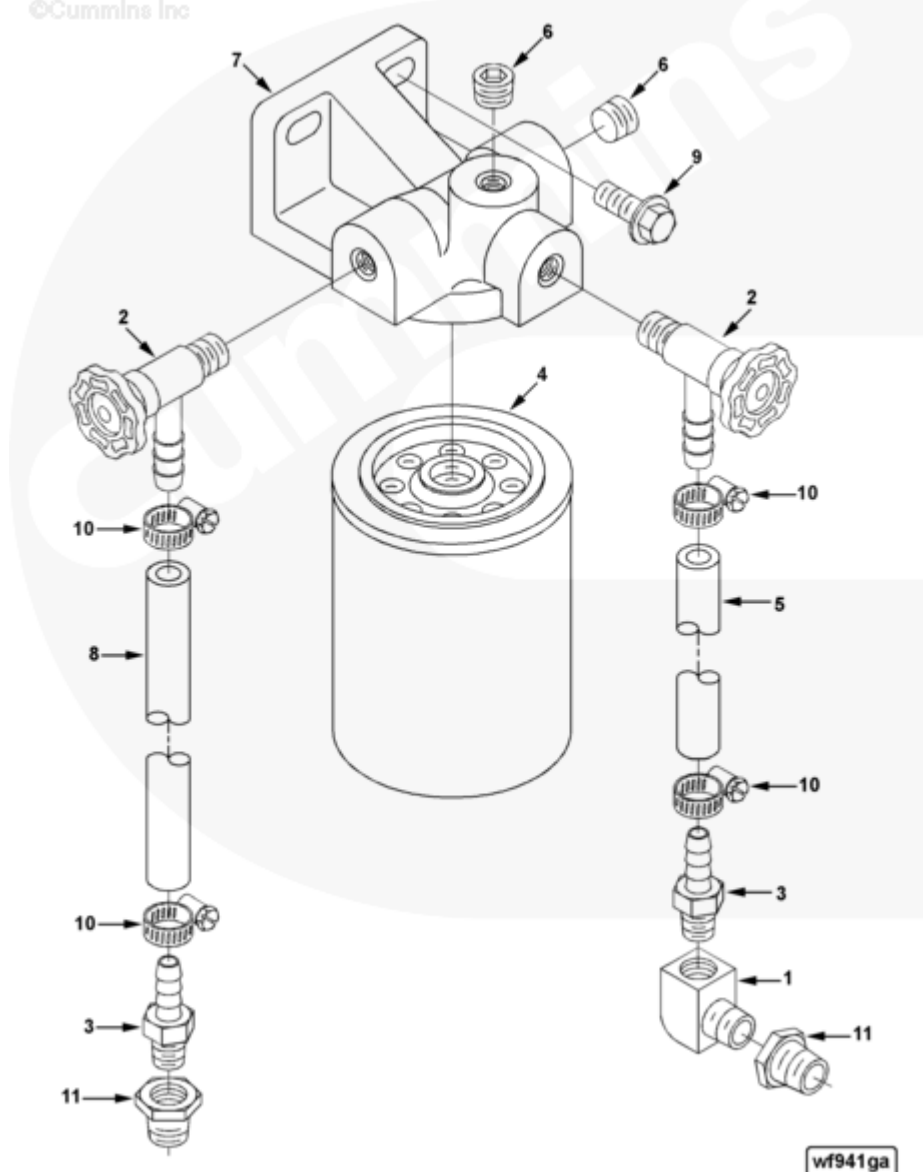




Parts Catalog - Option Detail

Electronic Parts Catalog - Option Detail				
Option	Group	Graphic	Film Card	Date
WF9038	08.08	wf941ga	Z	24-OCT-96
Engines	6C8.3, C GAS PLUS CM556, G8.3, G8.3 CM558, GTA8.3 CM558, ISC CM2150, ISC CM554, ISC CM850, ISC8.3 CM2250, ISC8.3 G CM2180 C101, ISL CM2150, ISL CM554, ISL CM850, ISL G CM2180, ISL8.9 CM2150 L110, ISL8.9 CM2880 L112, ISL9 CM2150 SN, ISL9 CM2250, ISL9 CM2350 L101, ISL9 CM2350 L111, ISLE4 CM850, L GAS PLUS CM556, L8.9, L8.9 L121, L8.9G CMOH2.0 L125B, L9 CM2350 L116B, L9 CM2350 L119B, L9 CM2350 L120C, L9 CM2350 L123B, L9.3 L105, L9.5 L117, L9N CM2380 L124B, QSC8.3 CM2250, QSC8.3 CM2880 C102, QSC8.3 CM554, QSC8.3 CM850(CM2850), QSL9 CM2250, QSL9 CM2250 L115, QSL9 CM2350 L102, QSL9 CM2350 L107, QSL9 CM2350 L118, QSL9 CM2350 L122, QSL9 CM554, QSL9 CM850(CM2850), QSL9 G CM558, QSL9 M CM2250 L106, QSL9.3 CM2880 L113			



wf941ga

SMALL | MEDIUM | LARGE

Cart	Ref No	Part Number	Part Description	Required	Remarks
View My Cart					
		WF9038	Corrosion Resistor		Corrosion Resistor...(More)
					Application: Sea Water
					Aftercooled
					Mounting Location:
					Fuel Pump Side, on Filter
					Bracket.
					Coolant Capacity: 8 Unity
					DCA-4 for up to 31 U.S.
					quarts.
					Includes filter head and
					shut-off valves.
<input type="checkbox"/>	1	70470	Plain Street Pipe Elbow	1	
<input type="checkbox"/>	2	179901	Shut-Off Valve	2	
<input type="checkbox"/>	3	179902	Plain Hose Coupling	2	
<input type="checkbox"/>	4	3315115	Corrosion Resistor	1	
<input type="checkbox"/>	5	3393348	Plain Hose	1	
<input type="checkbox"/>	6	3628609	Pipe Plug	2	3/8-18.
<input type="checkbox"/>	7	3848717	Corrosion Resistor Head	1	Purchase From Fleeguard
<input type="checkbox"/>	8	3897106	Plain Hose	1	
<input type="checkbox"/>	9	3902460	Hexagon Flange Head Cap Screw	2	M10 X 1.50 X 25.
<input type="checkbox"/>	10	3910509	Hose Clamp	4	1/4 - 7/8 in.
<input type="checkbox"/>	11	3924146	Reducing Pipe Bushing	2	